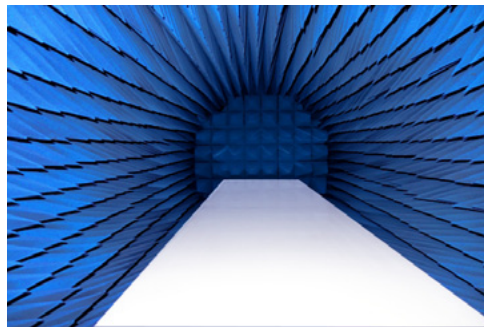
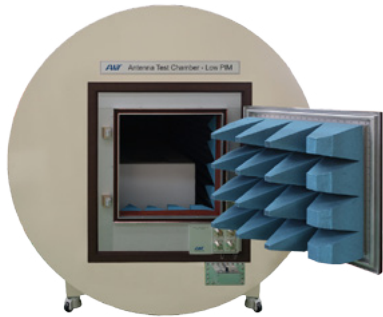




- Semi anechoic chamber design for high shielding and low PIM antenna measurements
- Shielding up to 90 dB
- Frequency ranges 380/700 MHz to 6000 MHz
- Residual PIM down to as low as -165 dBc @ 2 x 43dBm (DUT and option dependent)
- Standard models from 3.5 m to 4.5 m / 11 ft. to 15 ft. length
- Connector arrays for multi-band and MIMO antennas
- Customized solutions available

ATC series low PIM Antenna Test Chambers are designed for testing RF devices and antennas from 380 MHz to 6000 MHz. Not only are today's antennas required to show excellent transmission characteristics, but they must also feature very low passive intermodulation distortion (PIM). This is imperative for high quality and distortion free high speed data transmission. Besides high shielding factors of up to 90 dB, our ATC chambers provide very low residual passive intermodulation distortion.

desired location at your facility, connect your test systems and start measuring -immediately. ATCs can be moved freely with their wheeled frames. This flexibility allows to integrate ATCs optimally with any production flow. Even if it changes, our chambers can be moved easily to new locations.



All ATCxB chambers come standard with 18 inch absorber material. To suite customer specific requirements, ATCs are available in different lengths, with different door openings and with a variety of options and accessories. Special requirements? Call us for customized ATC configurations.

AWT Global's ATC semi anechoic chambers are delivered turnkey. That means: no installation or assembly is required locally. Our chambers are ready to go - immediately. Just roll them to the

ATC Models

- ATC35B-2-18 (L 3.5m, D 2.0m)
- ATC37B-2-18 (L 3.7m, D 2.0m)
- ACT39B-2-18 (L 3.9m, D 2.0m)
- ACT45B-2-18 (L 4.5m, D 2.0m)

AWT Global

46 Countryside Apts.
Building 6, Suite 46
Hackettstown,
New Jersey 07840, USA

p: +1 (973) 321-3423
e: sales@awt-global.com
w: www.awt-global.com

Models

Model	Description
ATC35B-2-18	Antenna Test Chamber, shielding >90 dB @ 380-6000 MHz, PIM rating: <-165 dBc @ 700-6000 MHz , absorber material (body/head/door): 18/18/18 in, door size: 0.61 m x 0.61 m (24 x 24 in), length: 3.5 m (138 in), diameter: 2.0 m (110 in) max mechanical DUT length: 1.8 m (70 in).
ATC37B-2-18	Antenna Test Chamber, shielding >90 dB @ 380-6000 MHz, PIM rating: <-165 dBc @ 700-6000 MHz, absorber material (body/head/door): 18/18/18 in, door size: 0.61 m x 0.61 m (24 x 24 in), length: 3.7 m (146 in), diameter: 2.0 m (79 in), max mechanical DUT length: 2.4 m (94 in).
ATC39B-2-18	Antenna Test Chamber, shielding >90 dB @ 380-6000 MHz, PIM rating: <-165 dBc @ 700-6000 MHz, absorber material (body/head/door): 18/18/18 in, door size: 0.61 m x 0.61 m (24 x 24 in), length: 3.9 m (154 in), diameter: 2.0 m (79 in), max mechanical DUT length: 2.6 m (102 in).
ATC45B-2-18	Antenna Test Chamber, shielding >90 dB @ 380-6000 MHz, PIM rating: <-165 dBc @ 700-6000 MHz, absorber material (body/head/door): 18/18/18 in, door size: 0.61 m x 0.61 m (24 x 24 in), length: 4.5 m (177 in), diameter: 2.0 m (79 in), max mechanical DUT length: 3.2 m (125 in).
ATC400	Extended PIM frequency option. PIM rating < -155 dBc @ 400 - 6000 MHz

Options and Accessories

Model	Description
ATCPORT4	Four bulkhead connectors instead of one, type DIN 7/16 (f) - DIN 7/16 (f).
ATCPORT6	Six bulkhead connectors instead of one, type DIN 7/16 (f) - DIN 7/16 (f).
ATCPORT8	Eight bulkhead connectors instead of one, type DIN 7/16 (f) - DIN 7/16 (f).
ATCWG	Wave Guide port with removable RF-tight lid, well suited as cable lead-through.
ATCN	Additional N type connector port.
ATCSMA	Additional SMA type bulkhead connectors SMA(f)-SMA(f).
ATCPL	Second connector panel (removable).
ATCDCP25	DC Port (48V / 25A) with EMI filters..
ATCACP10	AC port (100-240V) / 10A with EMI filters.
ATCDRWDL	Extra wide door 1.0m x 0.61m (39 x 24 inch) with ATCDRL. Replaces standard door. Reduces PIM and shielding performance.
ATCDRL	Door lever - more ergonomic, faster loading / unloading, more even contact compression. For standard door, included already in wide door option.
ATCFAN	Fan for air exchange, covered with honeycomb screen.
ATCSLTBLxx	Sliding Table for ATC. Dimensions vary and depend on ATC length and door width. Requires ATCTBLSTD.
ATCJIGxx	Test Jig for exact positioning of DUTs within the chamber (repeatable measurements). Dimensions vary and depend on ATC length and door width.
ATCTBLSTD	External stand to support fully extended ATC sliding table.
LIC308-DMDM-3M	Low PIM cable 3m (10ft), PIM < -165dBc @ 2x43dBm, connectors DIN 7/16(m)-DIN 7/16(m). Other lengths or connector combinations available.
ADA-DMDF	Adaptor DIN 7/16 (m) - DIN 7/16 (f). Utilization as connector saver for RF ports.

Options and accessories may affect PIM and shielding ratings of ATCs

RF & Microwave Technology

AWT-Global provides advanced telecommunication technology products and analyzers for a variety of RF and Microwave applications.

AWT Global

46 Countryside Apts.
Building 6, Suite 46
Hackettstown
New Jersey 07840
USA

p: +1 (973) 321-3423
e: sales@awt-global.com
w: www.awt-global.com

Technical Specifications

Shielding Effectiveness

ATCxxB	>90 dB (380-6000 MHz)
with ATCDRWDL option	>70 dB (380-6000 MHz)

Residual PIM

ATCxxB-2-18	< -165 dBc (700-6000 MHz)
with ATC400 option	< -155 dBc (400-700 MHz)
with ATCDRWDL option	< -155 dBc

Residual PIM specifications of ATCs are measured with 2x43 dBm signals using omni- and dipole antennas.

PIM behavior of ATCs may change with customer antennas because of their architecture and resulting radiation patterns. Measurements may vary depending on DUT position within the chamber, caused by different near field dynamics and varying reflected RF energy.

RF Port (s)

ATCxx	Bulkhead
	DIN 7/16 (f) - DIN 7/16 (f)

Other connector types available

Electrical (LED light)

Main Power for 12 V AC/DC Converter	100-240 V, 50/60 Hz
-------------------------------------	---------------------

Power consumption	10 Watts
-------------------	----------

Door Sizes

Dimensions in meters (inches)		
Standard door	0.61 x 0.61	(24 x 24)
Wide door (opt)	1.0 x 0.61	(39 x 24)

Dimensions

Dimensions in meters (inches) Length, Dia, Height		
ATC35B-2-18	3.5 x 2.0 x 2.3	(138 x 78 x 91)
ATC37B-2-18	3.7 x 2.0 x 2.3	(146 x 78 x 91)
ATC39B-2-18	3.9 x 2.0 x 2.3	(154 x 78 x 91)
ATC45B-2-18	4.5 x 2.0 x 2.3	(177 x 78 x 91)

Weight

ATC35B-2-18	790 kg / 1736 lbs
ATC37B-2-18	850 kg / 1868 lbs
ATC39B-2-18	910 kg / 2000 lbs
ATC45B-2-18	1060kg / 2330 lbs



Image shows ATC39B-2-18 with ATCPOR4, ATCFAN and ATCTBL, ATCJIG and (2) ATCTBLSTAND options.

Product Quality

AWT is committed to providing our customers products that meet highest quality standards. AWT products undergo thorough quality checks and are ISO 9001 and ISO 14001 certified.

For more information on any of our products or services please visit our Web site:

www.awt-global.com

Customized Solutions

Measurement requirements need often tailored solutions. We offer customized antenna chambers and turnkey ATE solutions for a variety of applications. Contact us for more details.

AWT Global

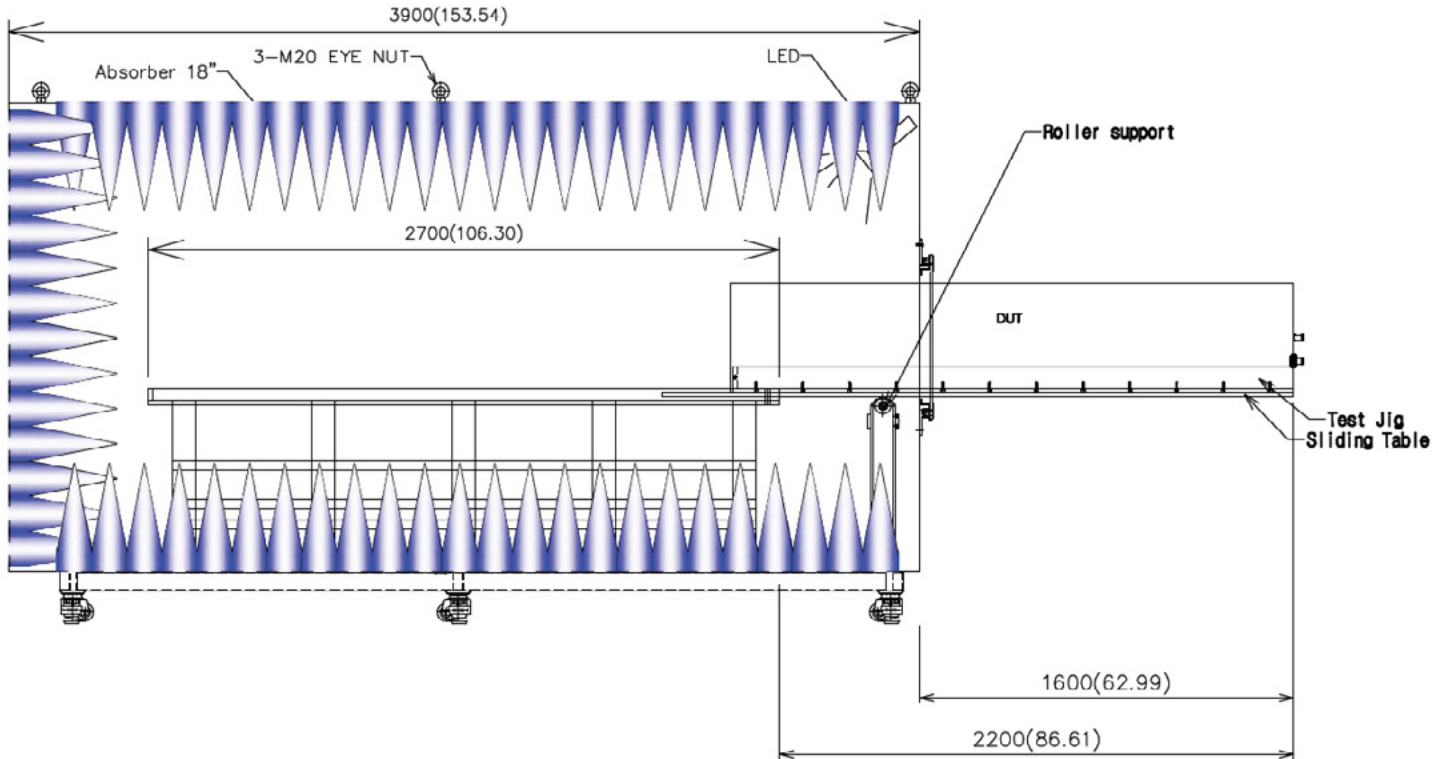
46 Countryside Apts.
Building 6, Suite 46
Hackettstown,
New Jersey 07840
USA

p: +1 (973) 321-3423

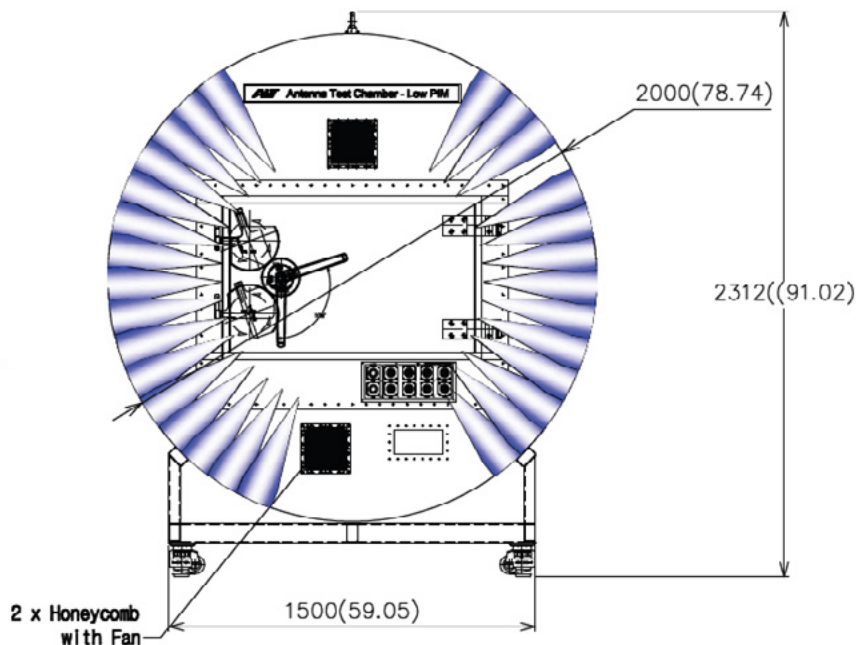
e: sales@awt-global.com

w: www.awt-global.com

Dimensions: example ATC39B-2-18



Drawing shows an ATC39B-2-18 with sliding table. The number "xx" of ATCxxB-2-18 represents the outer length in meters. The "2" stands for the diameter in meters, and "18" for 18 inch absorber material. All ATCs are also equipped with absorber material at the door side (right side of this drawing). This is however not shown here to allow for a better view at sliding table mechanics. Contact your next AWT Global representative for complete drawings and dimensions of your desired ATC model.



Drawing shows front view of ATCxxB-2-18 with extra wide door option ATCDRWDL, ATCPOR8 option, 2x ATCWG option and 2x ATCFAN option.

AWT Global LLC

46 Countryside Apts.
Building 6, Suite 46
Hackettstown,
New Jersey 07840, USA

p: +1 (973) 321-3423

e: sales@awt-global.com

w: www.awt-global.com